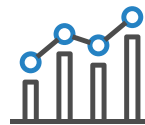




Safety first
Fuse free design



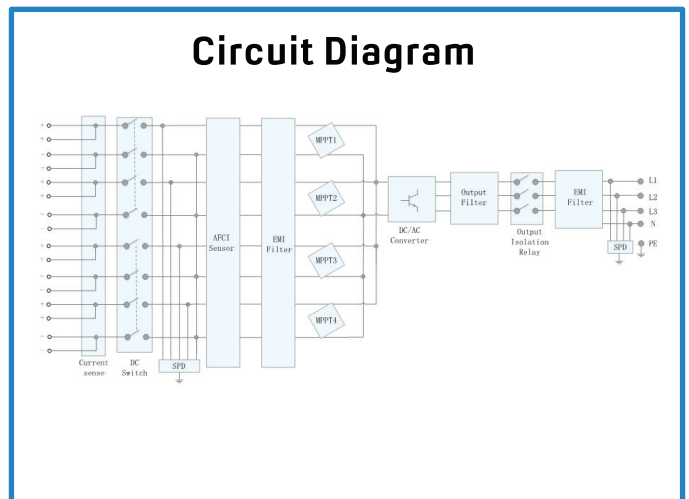
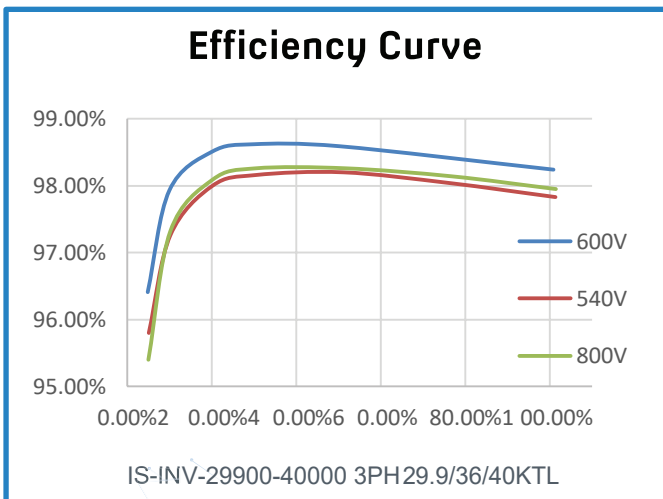
Intelligent
8 strings intelligent monitoring



Efficient
Max. efficiency
98.7%



Reliable
Surge arresters
for DC & AC



Technical Specification

Technical Specification	IS-INV-29900-3PH	IS-INV-40000-3PH
-------------------------	------------------	------------------

Efficiency

Max. Efficiency	98.7%
European Efficiency	98.4%

Input

Max. Input Voltage ¹	1,100 V
Max. Current per MPPT	26 A
Max. Short Circuit Current per MPPT	40 A
Start Voltage	200 V
MPPT Operating Voltage Range ²	200 V ~ 1000 V
Rated Input Voltage	600 V
Number of Inputs	8
Number of MPP Trackers	4

Output

Rated AC Active Power	29,900 W	40,000 W
Rated AC Apparent Power	29,900 VA	40,000 VA
Max. AC Apparent Power	29,900 VA	44,000 VA
Rated Output Voltage	230 Vac / 400 Vac, 3W/N+PE	
Rated AC Grid Frequency	50 Hz / 60 Hz	
Rated Output Current	43.2 A	57.8 A
Max. Output Current	43.2 A	63.8 A
Adjustable Power Factor Range	0.8 LG ... 0.8 LD	
Max. Total Harmonic Distortion	< 3%	

Protection

Input-side Disconnection Device	Yes
Anti-islanding Protection	Yes
AC Overcurrent Protection	Yes
DC Reverse-polarity Protection	Yes
PV-array String Fault Monitoring	Yes
DC Surge Arrester	Yes
AC Surge Arrester	Yes
DC Insulation Resistance Detection	Yes
Residual Current Monitoring Unit	Yes
Arc Fault Protection	Yes
Ripple Receiver Control	Yes
Integrated PID Recovery ³	Yes

Communication

Display	LED Indicators, Integrated WLAN + iStorehome APP
RS485	Yes
Smart Dongle	WLAN/Ethernet via Smart IS-Dongle-WLAN
Monitoring BUS (MBUS)	Yes (Isolation Transformer required)

General Data

Dimensions (W x H x D)	640 x 530 x 270 mm
Weight (with mounting plate)	43 kg (94.8 lb)
Nosie Level	< 46 dB
Operating Temperature Range	-25 ~ + 60 °C
Cooling Method	Natural Convection
Max. Operating Altitude	0 - 4,000 m
Relative Humidity	0% RH ~ 100% RH
DC Connector	Staubli MC4
AC Connector	Waterproof Connector + OT/DT Terminal
Protection Degree	IP 66
Topology	Transformerless
Nighttime Power Consumption	≤5.5W
Country of Manufacture	China

Standard Compliance (more available upon request)

Safety	EN 62109-1/2
Grid Connection Standards	AS/NZS 4777.2_2020

1. The maximum input voltage is the upper limit of the DC voltage. Any higher input DC voltage would probably damage inverter.

2. Any DC input voltage beyond the operating voltage range may result in inverter improper operating.

3. IS-INV-29900/40000 3PH raises potential between PV- and ground to above zero through integrated PID recovery function to recover module degradation from PID. Supported module types include: P-type (mono, poly), N-type (nPERT, HIT)