

SOLARGAIN HOT WATER

i-HEAT Continuous Flow Hot Water System

- 6 star energy efficient gas continuous flow water heaters
- Continuous flow hot water for the whole family
- 10 year warranty*
- Main bathroom, en-suite and kitchen controllers available - safety for your whole family
- Maximise energy efficiency and beat rising electricity costs
- Natural gas and LP gas versions available
- 100% compatible with solar system
- In-built frost protection
- Certified to WaterMark of Australian standard of AS3498
- Fully automatic electronic ignition



SOLARGAIN I-HEAT CONTINUOUS FLOW WATER HEATERS ARE AN EXTREMELY EFFICIENT CHOICE, WITH LOW RUNNING COST AND COMPACT SIZE WHICH CAN BE INSTALLED CONVENIENTLY IN RESIDENTIAL UNITS AND COMMERCIAL INSTALLATIONS.

Solargain i-HEAT Gas Continuous Flow Gas Water heaters provide a source of 24/7 hot water to your home, giving peace of mind to your whole family.

Model Number	Units	i-HEAT T20	i-HEAT T26
Inlet pressure kPa - Natural Gas (min / max)	kPa	1.13 - 2.75	1.13 - 2.75
Inlet pressure kPa - LPG	kPa	2.75	2.75
Rated capacity	(L/min)	20	26
Gas input	MJ/h	160	195
Water supply pressure**	kPa	340 - 1200	340 - 1200
DIMENSIONS			
Overall height	mm	520	542
Width - front	mm	350	350
Depth	mm	170	215
Weight - empty	kg	14	17.2
Gas connection		20 BSP	20 BSP
Water connection		15 BSP	15 BSP
Ignition		Electronic	Electronic
Electrical supply voltage	Vac	240	240
Controller available		Yes	Yes
Star rating		6	6

INTELLIGENT TEMPERATURE CONTROL

Optional controllers can be preset and located conveniently in the bathroom, en-suite and kitchen. Correctly set, controllers can ensure safety for your whole family.

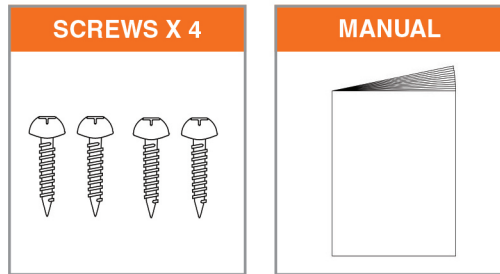


- If controllers are optional, a Main Controller is required as the master unit
- Maximum of one of each type of controller (ie max 3 remotes)
- Not suitable for use with solar hot water systems

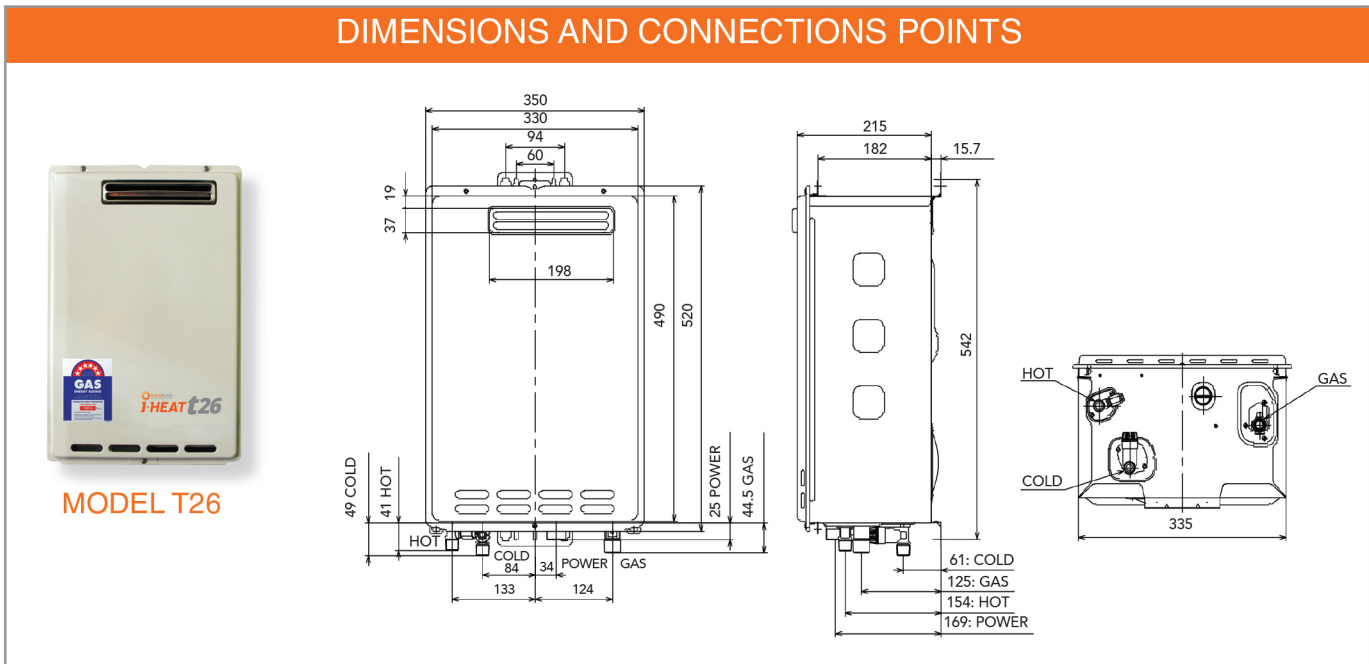
*10 year heat exchanger warranty, 3 years on all parts and labour (refer to user manual for full details) **Performance will be affected if connected to water pressure below 340kPa. NOTE: water usage changes from person to person and household. All information contained herein is correct at the time of printing and subject to change without notice. * Refer to owner/installer manual.

ACCESSORIES

Check that the installation manual and screws are included with the unit.



DIMENSIONS AND CONNECTIONS POINTS



DIMENSIONS AND CONNECTIONS POINTS

