



**Active Safety**

AI powered active arcing protection



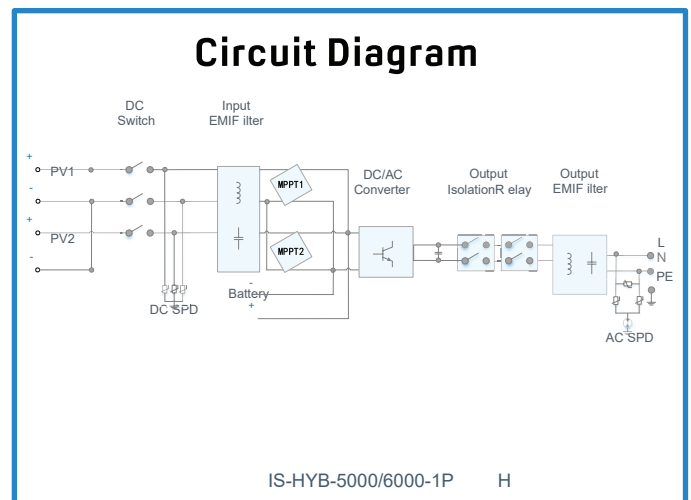
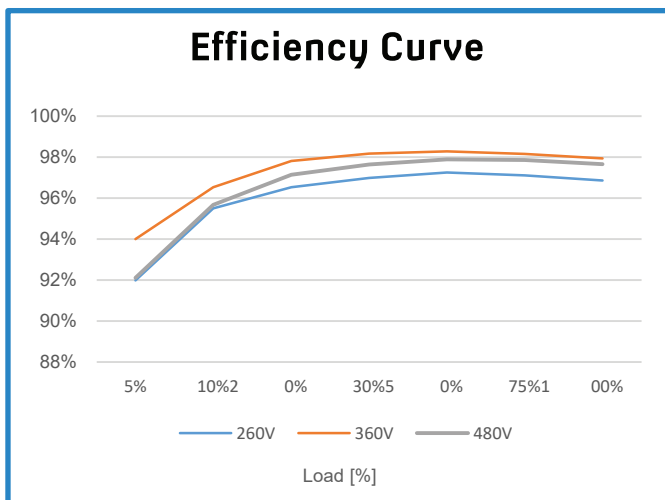
**Higher Yields**

More energy with full optimiser



**2x Power Battery Ready**

5KW AC Output plus 5KW Battery Charge



# Technical Specification

Technical Specification	IS-HYB-5000-1PH	IS-HYB-6000-1PH
<b>Efficiency</b>		
Max. efficiency	98.4 %	98.4 %
European weighted efficiency	97.8 %	97.8 %
<b>Input (PV)</b>		
Recommended max. PV power <sup>2</sup>	7,500Wp	9,000 Wp
Max. input voltage	600 V	
Start-up voltage	100 V	
MPPT operating voltage range	90 V – 560 V	
Rated input voltage	360 V	
Max. input current per MPPT	12.5 A	
Max. short-circuit current	18 A	
Number of MPP trackers	2	
Max. number of inputs	2	
<b>Input (DC Battery)</b>		
Compatible Battery	iStore ESS Battery 5kWh – 30kWh	
Operating voltage range	350 ~ 560 Vdc	
Max operating current	15 A	
Max charge / discharge Power	5,000 W <sup>1</sup>	
<b>Output</b>		
Grid connection	Single phase	
Rated output power	5,000 W	6,000 W
Rated AC Apparent power	5,000 VA	6,000 VA
Max. apparent power	5,000 VA	6,000 VA
Rated output voltage	220 V / 230 V / 240 V	
Rated AC grid frequency	50 Hz / 60 Hz	
Max. output current	21.7 A <sup>*</sup>	27.3 A
Adjustable power factor	0.8 leading ... 0.8 lagging	
Max. total harmonic distortion	≤ 3 %	
Backup power output	Yes (via Backup Box-5000 <sup>3</sup> )	
<b>Protection &amp; Feature</b>		
Anti-Islanding protection	Yes	
DC reverse polarity protection	Yes	
Insulation monitoring	Yes	
DC surge protection	Yes, compatible with TYPE II protection class according to EN/IEC 61643 -11	
AC surge protection	Yes, compatible with TYPE II protection class according to EN/IEC 61643 -11	
Residual current monitoring	Yes	
AC overcurrent protection	Yes	
AC short-circuit protection	Yes	
AC overvoltage protection	Yes	
Over-heat protection	Yes	
Arc fault protection	Yes	
Battery reverse charging from grid	Yes	
<b>General Data</b>		
Operating temperature range	-25 ~ +60 °C (Derating above 45 °C @ Rated output power)	
Relative operating humidity	0 %RH~100 %RH	
Operating altitude	0 ~ 4,000 m (Derating above 2,000 m)	
Cooling	Natural convection	
Display	LED indicators; integrated WLAN + iStorehome APP	
Communication	RS485, WLAN via inverter built -in WLAN module Ethernet via IS-Dongle WLAN FE (Optional) -	
Weight	12 kg	
Dimension (incl. mounting bracket)	365mm x 365mm x 156 mm	
Degree of protection	IP65	
Country of manufacture	China	
<b>Optimizer Compatibility</b>		
Compatible optimizer	SUN2000 - 600W - P <sup>4</sup>	
<b>Standard Compliance (more available upon request)</b>		
Safety	IEC 62109-1, IEC 62109 -2	
Grid connection standards	AS4777.2:2020	

\*1. 2,500W @ 5kWh ESS Battery

\*2. According to AS4777.2:2020

\*3. Please consult the suppliers for the backup solution.

\*4. Please consult the suppliers for the specifications of the optimizer pairing.